

WM-ODF-24SC 19" Rack Mount Optical Distribution Frame (ODF)

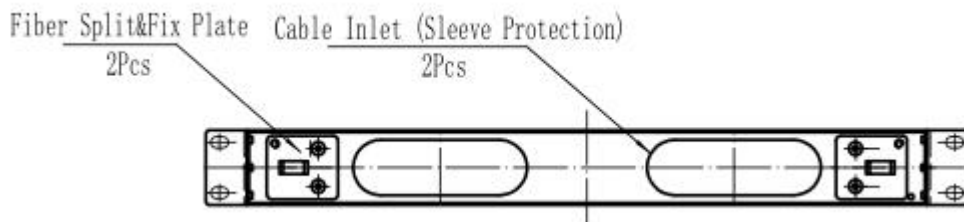
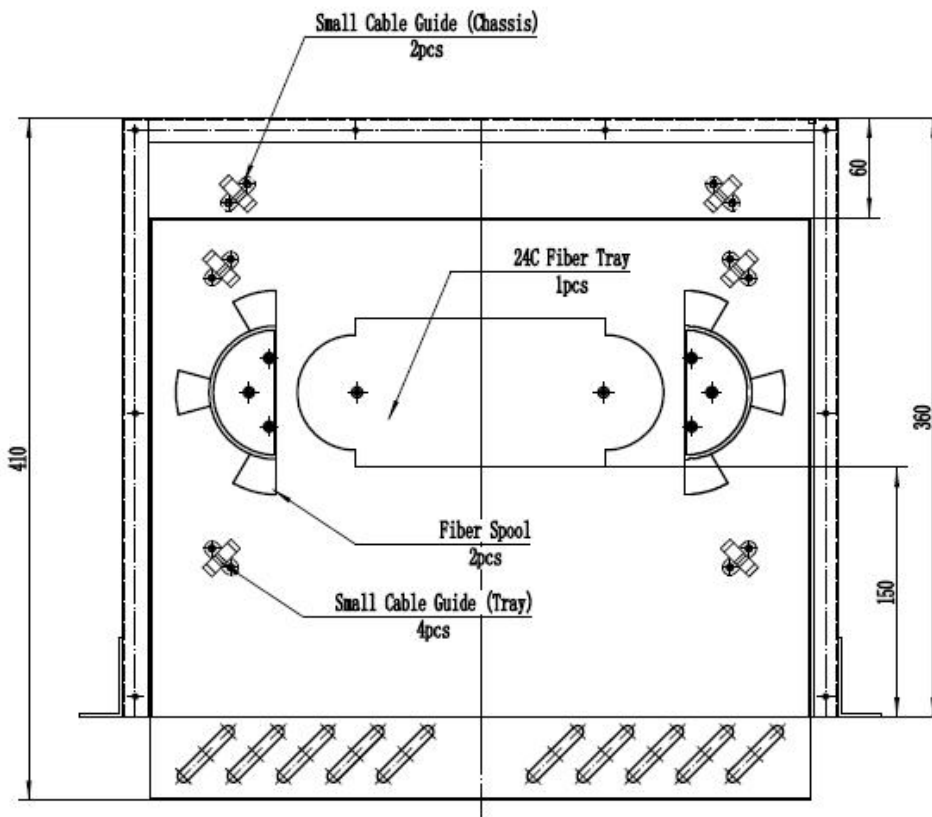
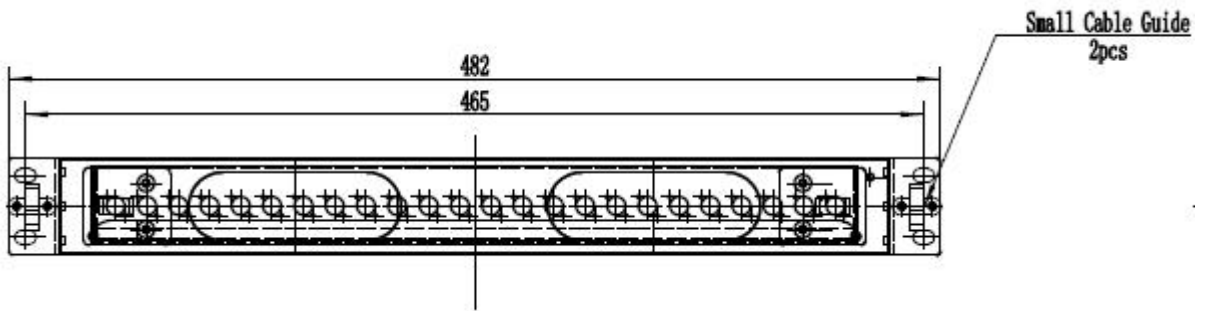
Introduction

The WM-ODF-24SC standard ODF is a high-density, high-capacity fiber management unit that integrates the splicing and distribution of optical fibers. The ODF unit has a capacity of 24 cores and a height of 1U. It can be installed in a 19-inch standard rack or cabinet freely according to user needs. The ODF unit has cable fixing function, fiber protection function, fiber splicing function, wire adjustment function, and fiber core and pigtail protection. The device is flexible in configuration, easy to install and use, easy to maintain, and easy to manage.

Feature

1. 19-inch standard unit construction size, free to fit into the distribution frame cabinet.
2. The adapter panel and ODF are made of metal material, the surface is sprayed, beautiful and durable; the splice tray and the cable guide are made of PP material, which is light, flexible and durable.
3. At the rear of the ODF unit, there is a cable inlet hole and an optical cable splitting and fixing device; the optical cable is introduced from the back side and opened and peeled and fixed, and spliced with the pigtail in the splice tray, and to be terminated by devices or end user if applied.
4. The ODF unit adopts a drawer structure, which can be extracted when splicing, and reset after the operation is completed. At the same time, the pull-type device has a limiting device to prevent excessive extraction and damage the optical fiber.
5. SC adapter is available.
6. Applicable to ribbon, bundle and single core cable.

Structure Schematic



Parameter

Mechanical Parameter

SN	Code	Description	Dimension (H*W*D)
1	WM-ODF-24SC	24C SC/PC ODF (1U)	44.5mm*482mm*410mm

Working Condition

Working Temperature: $-25^{\circ}\text{C} \sim +40^{\circ}\text{C}$

Environment Temperature: $-40^{\circ}\text{C} \sim +60^{\circ}\text{C}$

Storage Temperature: $-25^{\circ}\text{C} \sim +55^{\circ}\text{C}$

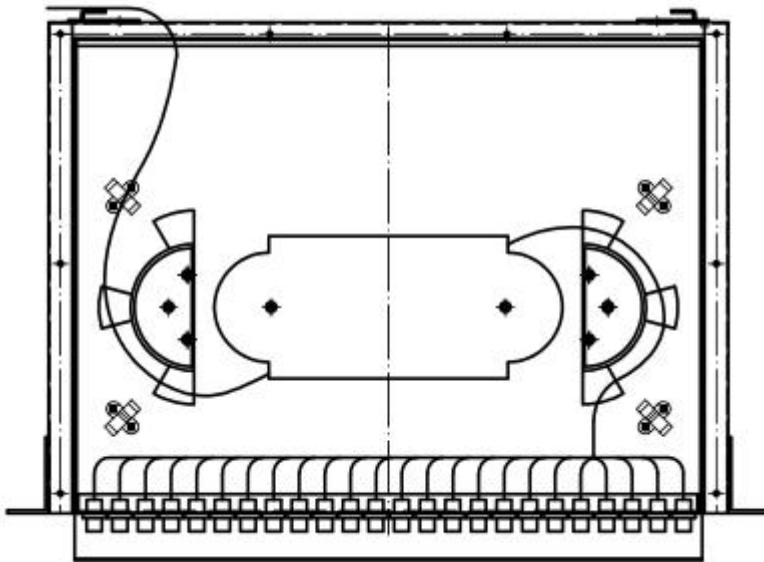
Relative Humidity: $\leq 85\%$ ($+30^{\circ}\text{C}$)

Air Pressure: $70\text{Kpa} \sim 106\text{Kpa}$ 。

Technical Parameter

1. Standard Working Wavelength: 850nm、1310nm、1550nm
2. Insertion Loss: $\leq 0.3\text{dB}$
3. Return Loss: PC $\geq 40\text{dB}$ 、UPC $\geq 50\text{dB}$ 、APC $\geq 60\text{dB}$
4. Electric Strength: $\geq 3\text{KV}$ (DC)/1min, no breakdown, no arcing.
5. Insulation Resistance: $\geq 1000\text{ M}\Omega/500\text{V}$ (DC)
6. Insertion life: 500times.

Fibering Schematic



Fiber cable enters into the ODF by split & fix plate at back, and splices with pigtail inside the splice tray after passing through the fiber spool.

Accessory List

SN.	Model	Description	Unit	Quantity	Remarks	Image
1	FPC-SC/UPC-SC/UPC-S2.0-05	Jarretières optiques 05m	Pcs	10		
2	FPC-SC/UPC-SC/UPC-S2.0-10	Jarretières optiques 10m	Pcs	10		
3	FPC-SC/UPC-SC/UPC-S2.0-15	Jarretières optiques 15m	Pcs	4		
4	FPG-SC/UPC S2.0-03	Pigtails 3m	Pcs	24		
5	FSPT-10	Spiral Protection Tube	Meters	30	2 rolls	
6	FHST-45	45mm Heat Shrink Tube	Pcs	24		
7	FCC-01	Cable Clamp	Pcs	2		
8	FSNS-01	Sanp Nut & Screw	Set	4		
9	FCT-01	Cable Tie	Pcs	10		